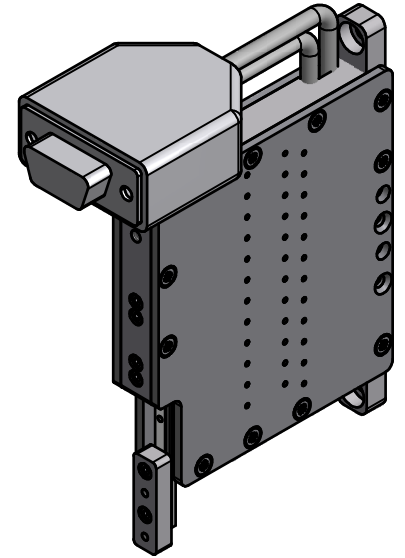
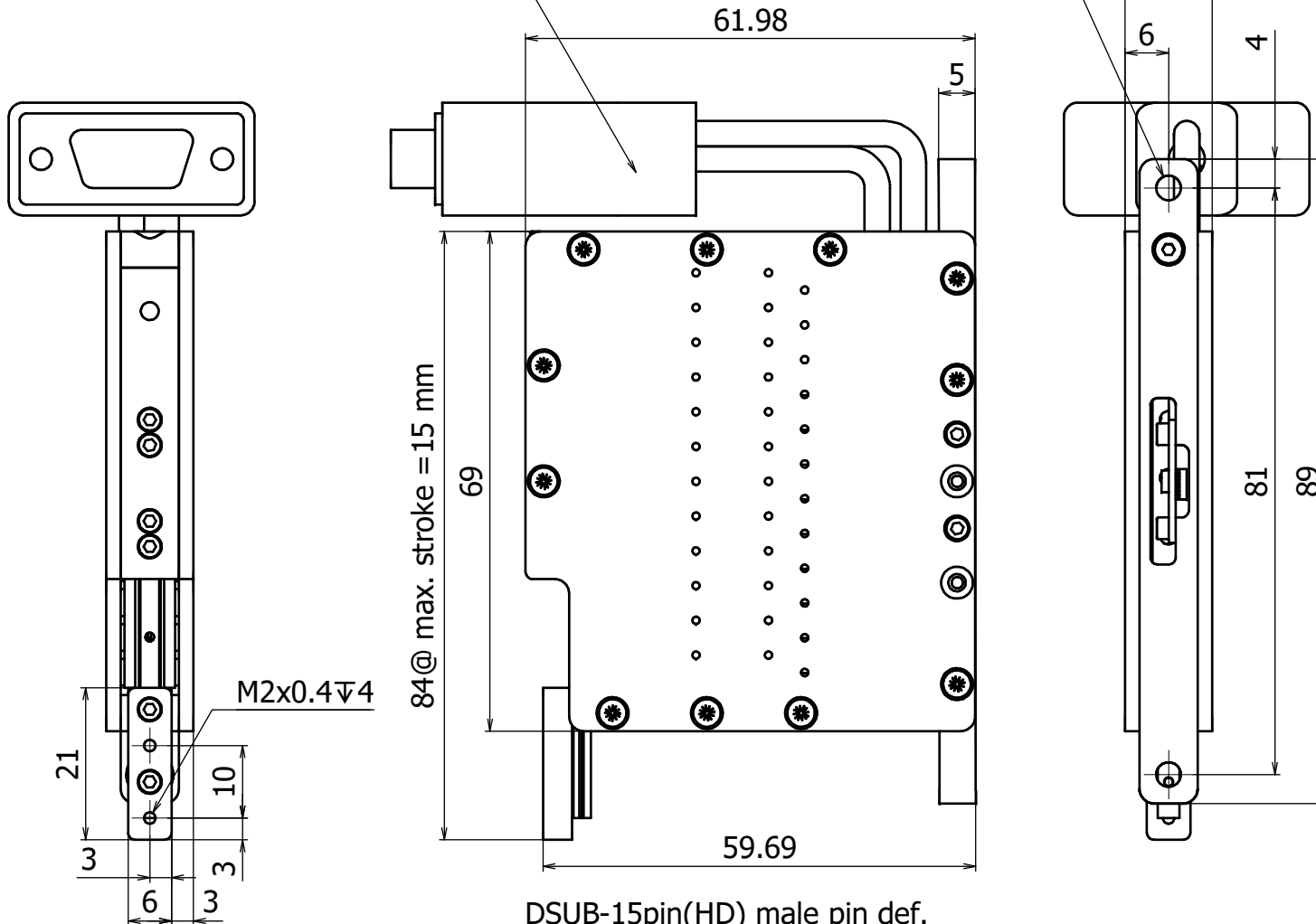


Pigtail (0.3m) to DSUB-15pin(HD) male

3.4 鑽孔, 6.5 柱坑深度 3



Specification:
 Stroke: 15 mm
 Encoder Res.: 5 um
 Rated Force: 1.5 Nt
 Peak Force: 6 Nt
 Rated Current: 0.25 A
 Peak Current: 1 A
 Driver Voltage: 24 V
 Moving mass: 25 g
 Total mass: 200 g

DSUB-15pin(HD) male pin def.

PIN	Signal	PIN	Signal	Pin	Signal
1	U	6	V	11	W
2		7		12	
3	+5VDC	8	Signal GND	13	Frame GND
4	Encoder X\	9	Encoder A\	14	Encoder B\
5	Encoder X	10	Encoder A	15	Encoder B

				MTSL-6-15	
		Name	Date	磁晶科技	
		Author	Dan		
		Checked	2015/4/19		
		Approved			
				MTSL6_new	
				1 / 1	
				AS	