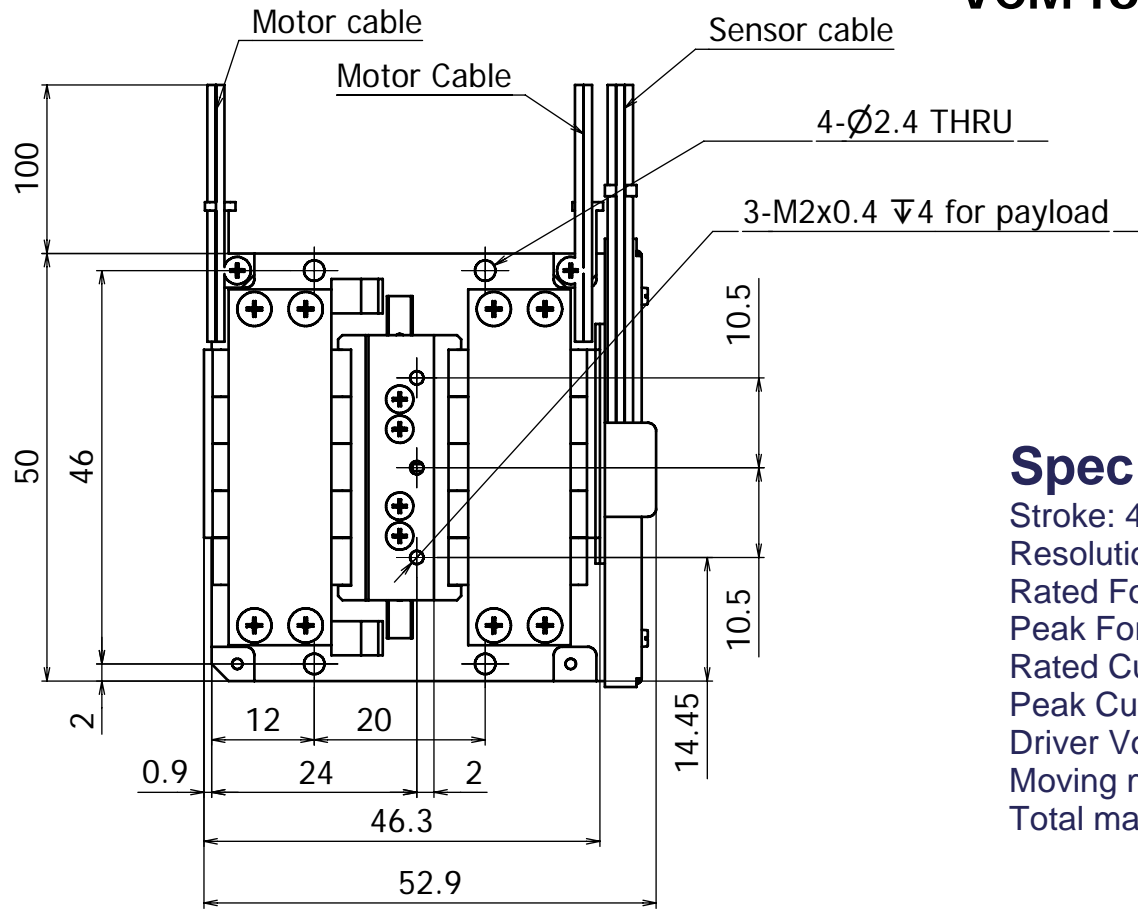
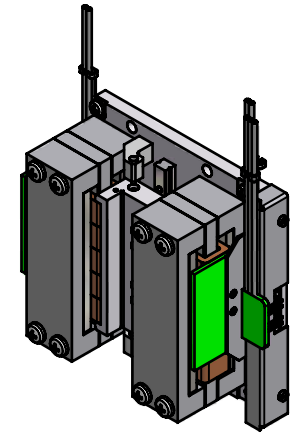


VCM for LED chip sorter

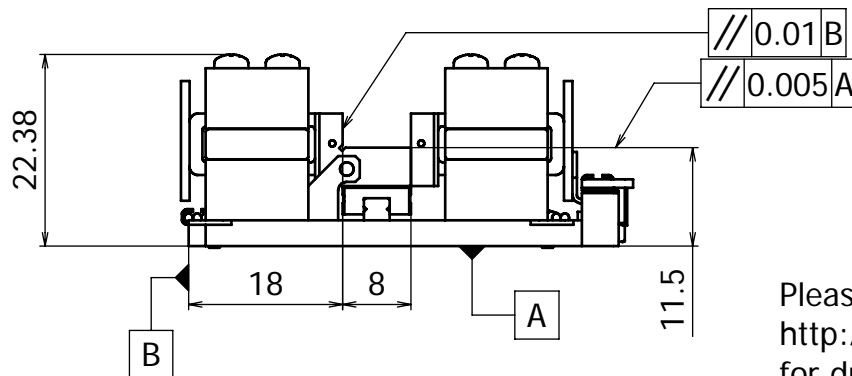


Specification:

Stroke: 4.5 mm
Resolution: 0.4 μ m
Rated Force: 2 Nt
Peak Force: 10 Nt
Rated Current: 0.2 A
Peak Current: 1 A
Driver Voltage: 24V
Moving mass: 35 g
Total mass: 170 g

Features:

1. High force with small profile.
2. Excellent rigidity: precision linear guide with 2 slides
3. Safety mechanism: moving to upper limit when servo off.



Please visit
<http://www.magtronics.com.tw>
for drawing update.

				VCM2		
		Name	Date	Magtronics Tech. Inc.		
		Author	DL			2009/4/13
		Checked				
		Approved				
				VCM2	1 / 1	
					AS	